



FIRE SUPPRESSION

SALES DATA SHEET

1.75ltr AFFF Foam Handheld Extinguisher

Model Number: FE175HH-RED, FE175HH-MATT BLACK, FE175HH-MATT GREY, FE175HH-SILVER, FE175HH-RALLY RED



Installation Kit Contents: 1 x Wire Bracket, 2 x Stainless Steel Straps

Model Number FE175HH-RED – Part Number 100.200.008
 Model Number FE175HH-MATT BLACK – Part Number 100.200.009-MB
 Model Number FE175HH-MATT GREY – Part Number 100.200.009-MG
 Model Number FE175HH-SILVER – Part Number 100.200.009
 Model Number FE175HH-RALLY RED – Part Number 100.200.009-RR

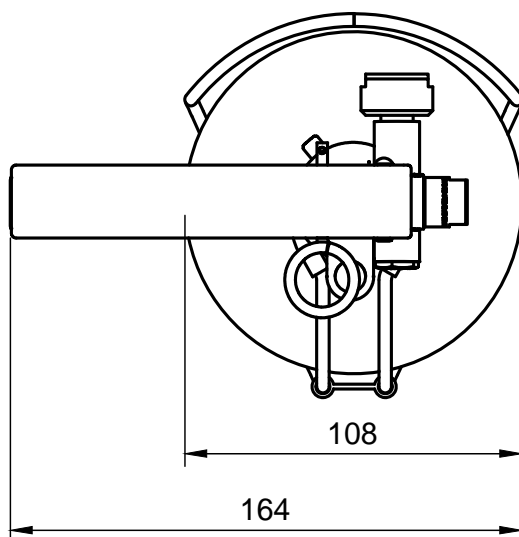
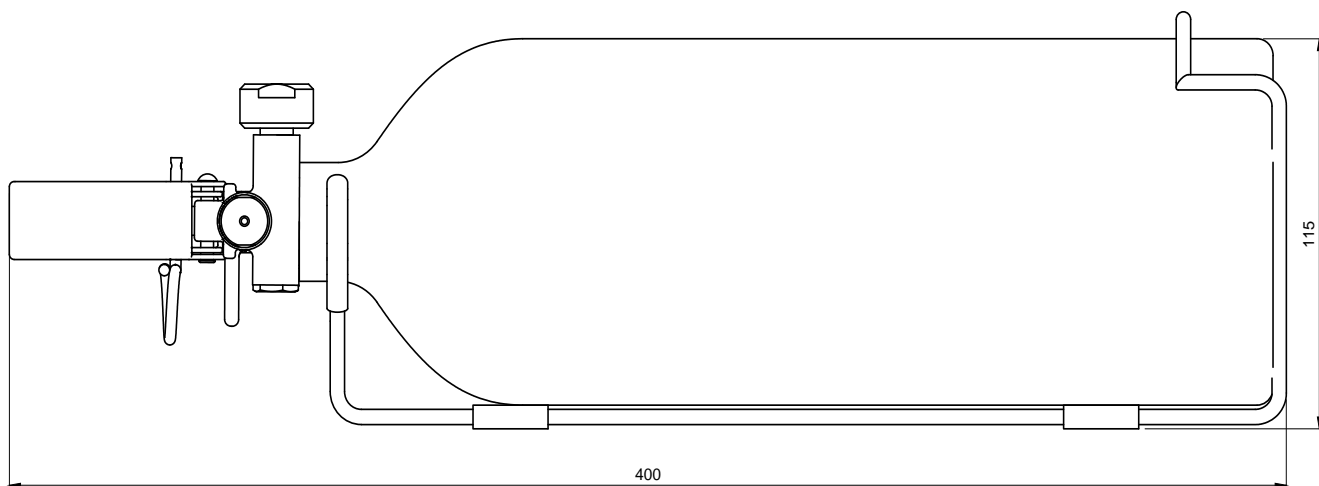
Content	AFFF (Foam)
Capacity	1.75 Ltr
Size (w x d x h)	108 x 115 x 400
Pressure	9 Bar
Cylinder	Aluminium

Fire Extinguisher Valve Co Ltd
 Unit B3 Ford Airfield Industrial Estate, Ford, Nr Arundel, West Sussex BN18 0HY
 Tel +44 (0) 1243 55 55 66 Fax +44 (0) 1243 555 660
 Email sales@f-e-v.co.uk Web www.f-e-v.co.uk



FIRE SUPPRESSION

FE175HH



Fire Extinguisher Valve Co Ltd
Unit B3 Ford Airfield Industrial Estate, Ford, Nr Arundel, West Sussex BN18 0HY
Tel +44 (0) 1243 55 55 66 Fax +44 (0) 1243 555 660
Email sales@f-e-v.co.uk Web www.f-e-v.co.uk