



FIRE SUPPRESSION

SALES DATA SHEET

Remote Charge Plumbed-In 5 Nozzle Novec 1230 Gas Extinguisher

Model Number: N-TEC2000R

FIA - TECHNICAL LIST 16



Installation Kit Contents:

- 1 x Bracket and 'T' Bolt Straps
- 1 x 23gram Remote Charge
- 1 x Control Box
- 1 x Internal Fire Button with Metal Shroud
- 1 x External Fire Button
- 5.5mtr x 8mm Aluminium Tubing
- 2 x Cockpit Nozzle with 8mm x 1/4 metal Straight Connector
- 2 x Engine Nozzle with 8mm x 1/4 metal Swivel Elbow
- 1 x Engine Nozzle with 8mm x 1/4 metal Straight Connector
- 1 x Metal Tee Connector 8-8
- 1 x Metal Y Connector 8mm
- 1 x Metal Cross Connector 8mm
- 8 x Tube Clips
- 1 x Large 'E' Label
- 1 x Small 'E' Label
- 1 x Instructions

Alternative Contents

- 1 x 8865 Control Box

Part Number	100.000.163
Capacity	2.0kg
Weight Including Cradle & Straps	3.281kg
Complete System with Kit Weight	4.105kg
Activated	Remote Electric
Pressure	Unpressurised
Cylinder	Aluminium

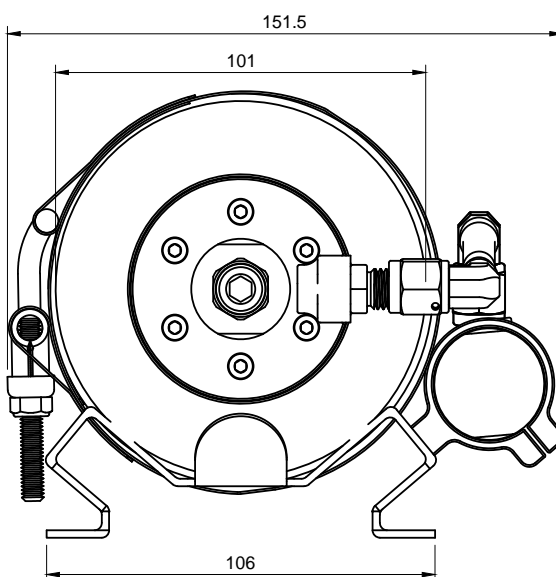
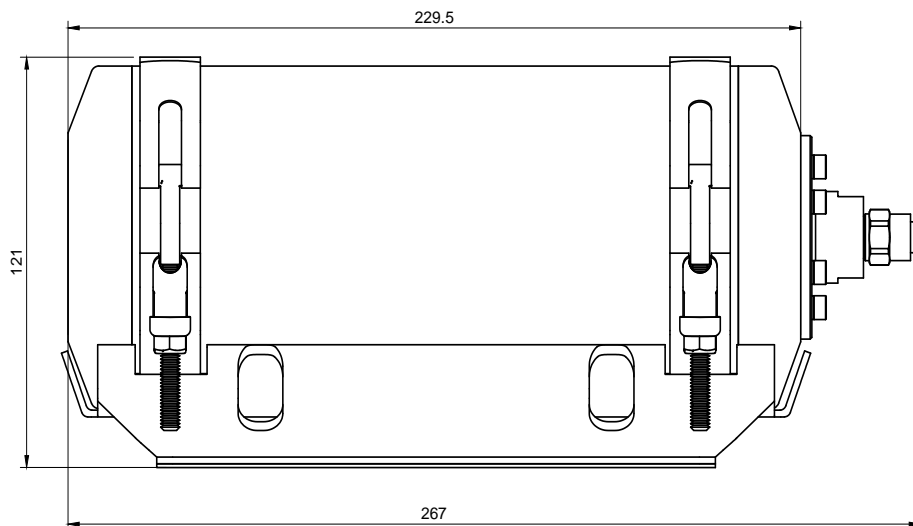


Fire Extinguisher Valve Co Ltd
Unit B3 Ford Airfield Industrial Estate, Ford, Nr Arundel, West Sussex BN18 0HY
Tel +44 (0) 1243 55 55 66 Fax +44 (0) 1243 555 660
Email sales@f-e-v.co.uk Web www.f-e-v.co.uk



FIRE SUPPRESSION

N-TEC2000R



Fire Extinguisher Valve Co Ltd
Unit B3 Ford Airfield Industrial Estate, Ford, Nr Arundel, West Sussex BN18 0HY
Tel +44 (0) 1243 55 55 66 Fax +44 (0) 1243 555 660
Email sales@f-e-v.co.uk Web www.f-e-v.co.uk