



FIRE SUPPRESSION

SALES DATA SHEET

Mechanical Plumbed-In 6 Nozzle Novec 1230 Gas Extinguisher

Model Number: N-TEC2250MK

FIA - TECHNICAL LIST 16



Installation Kit Contents:

- 1 x Bracket and 'T' Bolt Straps
- 1 x Pull Cable 12ft
- 1 x Pull Cable 6ft
- 1 x Pair of Cable Nipples
- 7 mtr x 10mm Aluminium Tubing
- 2 x Cockpit Nozzle with 10mm x ¼ metal Straight Connector
- 4 x Engine Nozzle with 10mm x ¼ metal Swivel Tee Connector
- 2 x Metal Tee Connector 10-10
- 1 x Metal Y Connector 10mm
- 10 x Tube Clips
- 1 x Large 'E' Label
- 1 x Small 'E' Label
- 1 x Instructions

Part Number	100.000.138
Capacity	2.25kg
Weight Including Cradle & Straps	4.12kg
Complete System with Kit Weight	5.81kg
Activated	Mechanical
Pressure	Pressurised
Cylinder	Aluminium

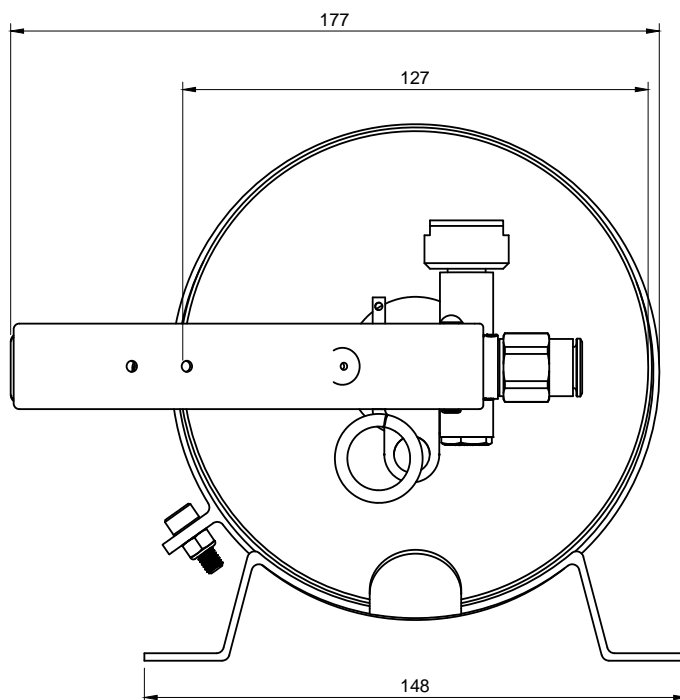
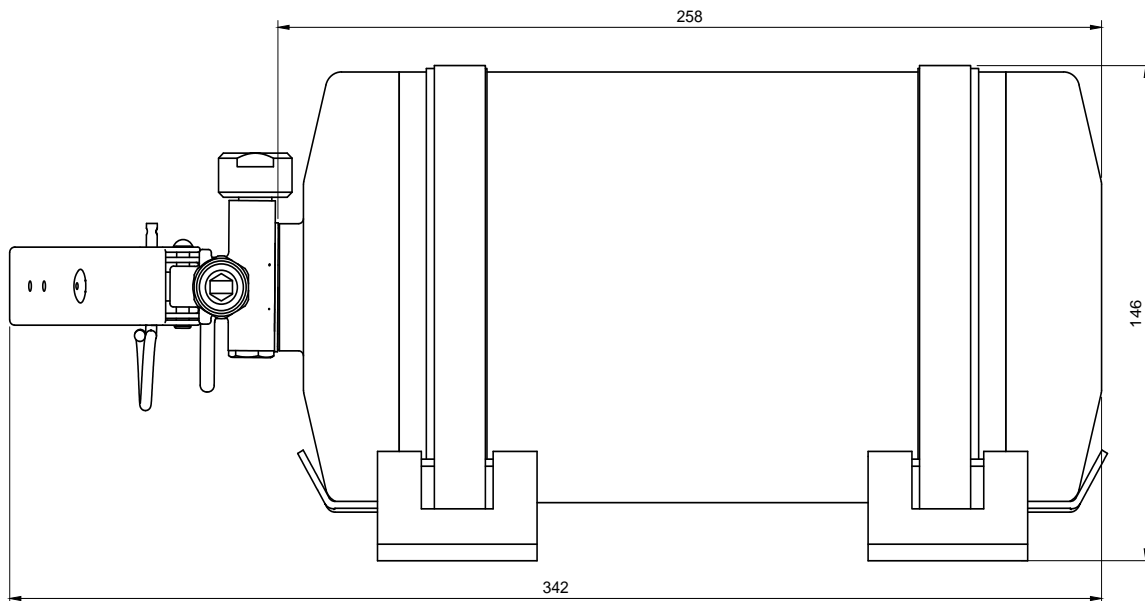


Fire Extinguisher Valve Co Ltd
Unit B3 Ford Airfield Industrial Estate, Ford, Nr Arundel, West Sussex BN18 0HY
Tel +44 (0) 1243 55 55 66 Fax +44 (0) 1243 555 660
Email sales@f-e-v.co.uk Web www.f-e-v.co.uk



FIRE SUPPRESSION

N-TEC2250MK



Fire Extinguisher Valve Co Ltd
Unit B3 Ford Airfield Industrial Estate, Ford, Nr Arundel, West Sussex BN18 0HY
Tel +44 (0) 1243 55 55 66 Fax +44 (0) 1243 555 660
Email sales@f-e-v.co.uk Web www.f-e-v.co.uk