



FIRE SUPPRESSION

SALES DATA SHEET

Remote Charge Plumbed-In 3 Nozzle Novec 1230 Gas Extinguisher

Model Number: N-TEC4100R

FIA - TECHNICAL LIST 52



MANUFACTURER: FEV
MODEL: N-TEC4100R
HOM. NO: EX.019.19
FIA STANDARD: 8865

Installation Kit Contents:

- 1 x Laser cut Bracket
- 2 x Stainless Steel Strap
- 1 x Hard-line Pressure Hose
- 1 x 16-hole Cockpit Bar Nozzle - Red
- 2 x Engine X Nozzles – 8mm
- 1 x External Push Button & fly lead
- 1 x Internal Push Button & Metal Shroud
- 1 x Control Box 8865 & Wiring Loom
- 1 x 38gram Remote Charge

Front Installation:

- 1 x Y Connector 10mm metal
- 1 x Swivel T Connector 10mm-8mm metal

Rear Installation:

- 1 x T Connector 10-10 metal
- 1 x Swivel T Connector 10mm-8mm metal
- 1 x Straight joiner 10mm
- 1 x Push-in Elbow 10mm ¼ BSP
- 10 x Pipe Clips
- 4.0 mtr of 10mm Aluminium tubing for cockpit
- 1.0 mtr of 8mm Aluminium tubing for engine
- 1 x E Decal, 1 x Small E Label
- 1 x Installation Instructions

Part Number	100.000.141
Capacity	4.1kg
Weight Including Cradle & Straps	5.49kg
Complete System with Kit Weight	8.1kg
Activated	Remote Electric
Pressure	Unpressurised
Cylinder	Aluminium

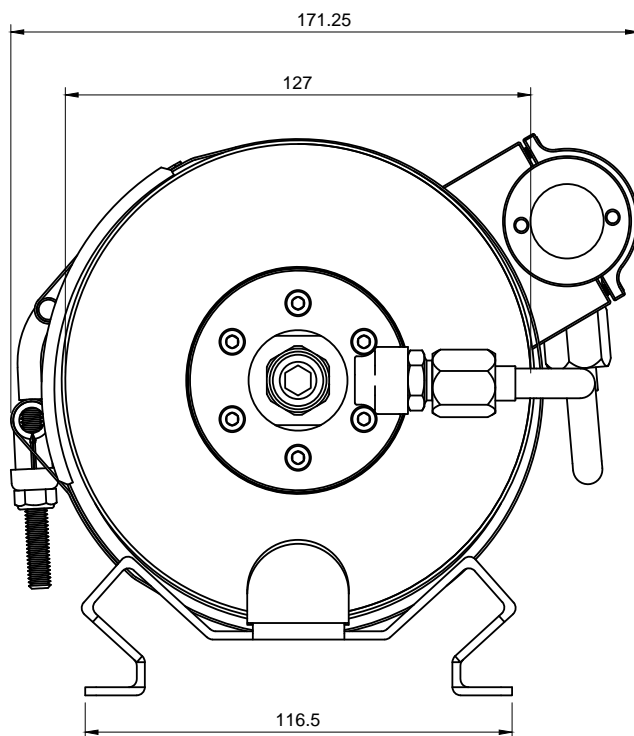
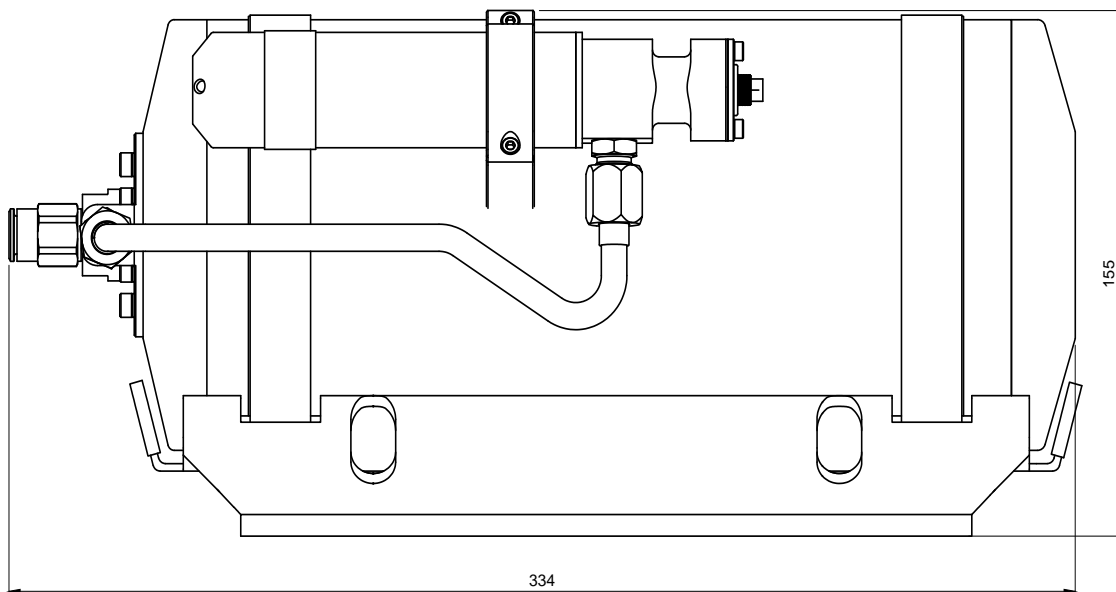
Note this system is for use only for cockpit volumes from 2.3m³ to 4.1m³

Note this system is for Class 1 – petrol in accordance with Art.9 of Article 252 of the 2014 Appendix J only.



FIRE SUPPRESSION

N-TEC4100R



Fire Extinguisher Valve Co Ltd
Unit B3 Ford Airfield Industrial Estate, Ford, Nr Arundel, West Sussex BN18 0HY
Tel +44 (0) 1243 55 55 66 Fax +44 (0) 1243 555 660
Email sales@f-e-v.co.uk Web www.f-e-v.co.uk