



FIRE SUPPRESSION

SALES DATA SHEET

2.5kg Novec1230 Gas Handheld Extinguisher

Model Number: FE-NOVEC2500HH-RED, FE-NOVEC2500HH-MATT BLACK, FE-NOVEC2500HH-MATT GREY, FE-NOVEC2500HH-SILVER, FE-NOVEC2500HH-RALLY RED



Installation Kit Contents: 1 x Wire Bracket, 2 x Stainless Steel Straps

Model Number FE-NOVEC2500HH-RED – Part Number 100.200.062
 Model Number FE-NOVEC2500HH-MATT BLACK – Part Number 100.200.067
 Model Number FE-NOVEC2500HH-MATT GREY – Part Number 100.200.068
 Model Number FE-NOVEC2500HH-SILVER – Part Number 100.200.070
 Model Number FE-NOVEC2500HH-RALLY RED – Part Number 100.200.069

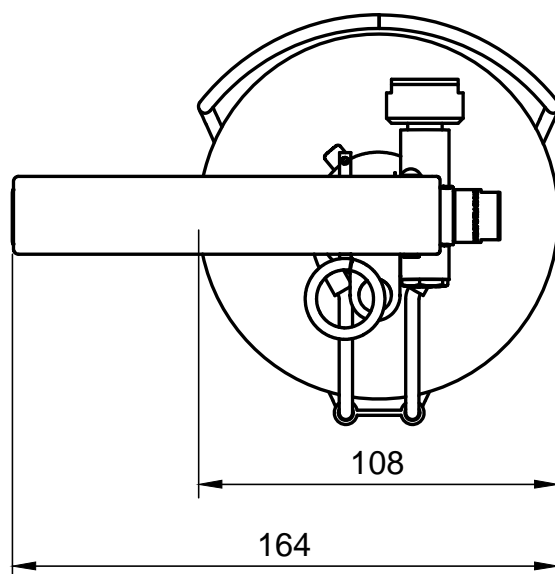
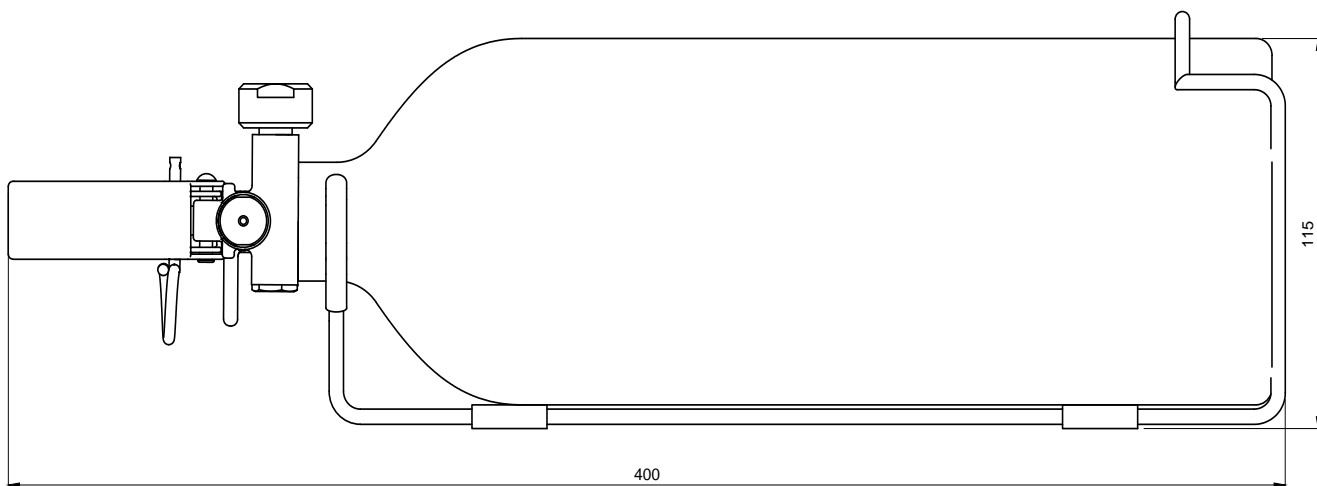
Content	Novec1230 (GAS)
Capacity	2.5kg
Size (w x d x h)	105 x 115 x 400
Pressure	14 Bar
Cylinder	Aluminium
FIA Approved	International Rally

Fire Extinguisher Valve Co Ltd
 Unit B3 Ford Airfield Industrial Estate, Ford, Nr Arundel, West Sussex BN18 0HY
 Tel +44 (0) 1243 55 55 66 Fax +44 (0) 1243 555 660
 Email sales@f-e-v.co.uk Web www.f-e-v.co.uk



FIRE SUPPRESSION

FE-NOVEC2500HH



Fire Extinguisher Valve Co Ltd
Unit B3 Ford Airfield Industrial Estate, Ford, Nr Arundel, West Sussex BN18 0HY
Tel +44 (0) 1243 55 55 66 Fax +44 (0) 1243 555 660
Email sales@f-e-v.co.uk Web www.f-e-v.co.uk