



## FIRE SUPPRESSION

### SALES DATA SHEET

Electric Plumbed-In 6 Nozzle Novec 1230 Gas Extinguisher

Model Number: N-TEC2250EK

FIA - TECHNICAL LIST 16



#### Installation Kit Contents:

- 1 x Bracket and 'T' Bolt Straps
- 1 x Control Box
- 1 x Internal Fire Button with Metal Shroud
- 1 x External Fire Button
- 7 mtr x 10mm Aluminium Tubing
- 2 x Cockpit Nozzle with 10mm x ¼ metal Straight Connector
- 4 x Engine Nozzle with 10mm x ¼ metal Swivel Tee Connector
- 2 x Metal Tee Connector 10-10
- 1 x Metal Y Connector 10mm
- 10 x Tube Clips
- 1 x Large 'E' Label
- 1 x Small 'E' Label
- 1 x Instructions

#### Alternative Contents

- 1 x 8865 Control Box

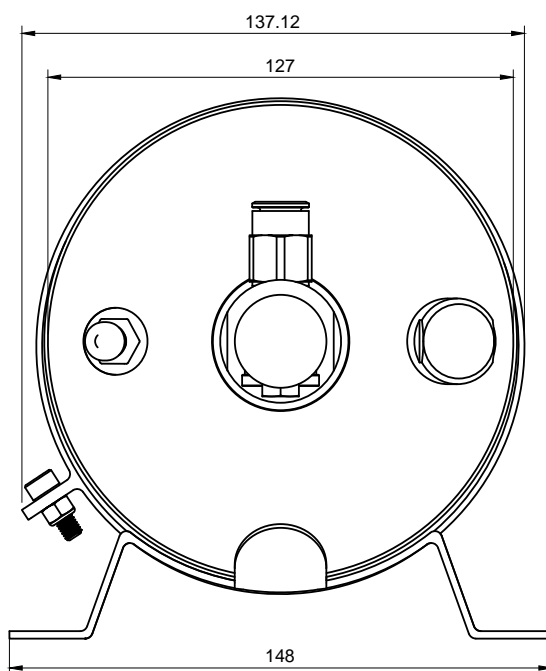
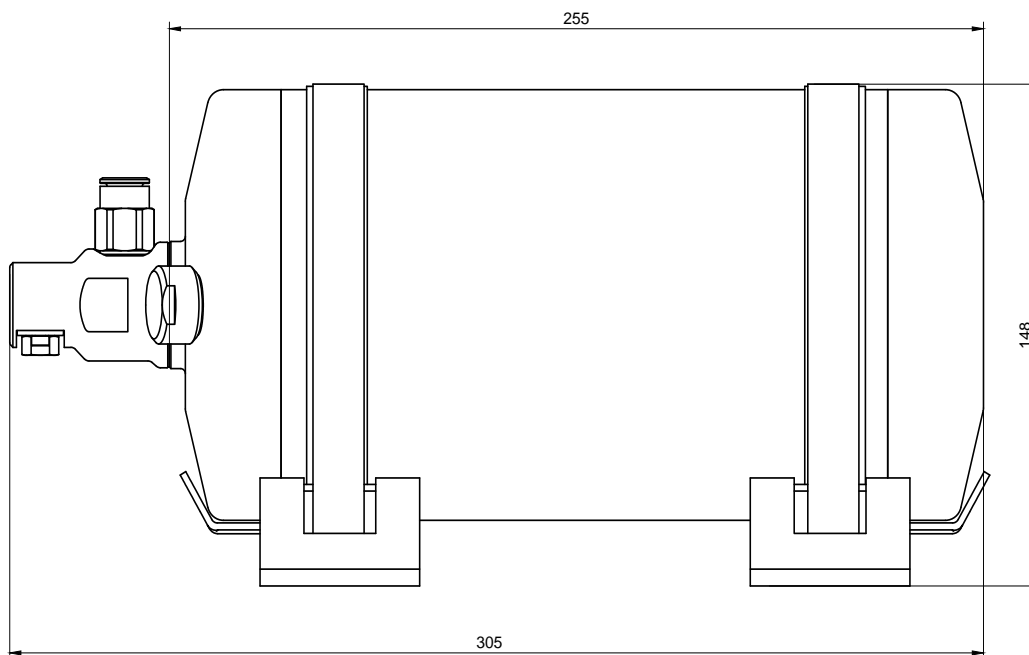
Part Number	100.000.148
Capacity	2.25kg
Weight Including Cradle & Straps	4.03kg
Complete System with Kit Weight	5.21kg
Activated	Electric
Pressure	Pressurised
Cylinder	Aluminium





**FIRE SUPPRESSION**

**N-TEC2250EK**



Fire Extinguisher Valve Co Ltd  
Unit B3 Ford Airfield Industrial Estate, Ford, Nr Arundel, West Sussex BN18 0HY  
Tel +44 (0) 1243 55 55 66 Fax +44 (0) 1243 555 660  
Email [sales@f-e-v.co.uk](mailto:sales@f-e-v.co.uk) Web [www.f-e-v.co.uk](http://www.f-e-v.co.uk)