



FIRE SUPPRESSION

SALES DATA SHEET

Electrical Plumbed-In 6 Nozzle AFFF Extinguisher – Steel Cylinder

Model Number: F-TEC3500EK

FIA - TECHNICAL LIST 16



Installation Kit Contents:

- 1 x Bracket and 'T' Bolt Straps
- 1 x Control Box
- 1 x Internal Fire Button
- 1 x External Fire Button
- 4.7 mtr x 10mm Aluminium Tubing
- 4.3 mtr x 8mm Aluminium Tubing
- 2 x Cockpit Nozzle with 10mm x ¼ metal Swivel Elbow
- 4 x Engine Nozzle with 8mm x ¼ metal Swivel Tee Connector
- 1 x Metal Tee Connector 10-10
- 1 x Metal Tee Connector 10MM-8MM
- 1 x Metal Y Connector 10mm
- 8 x 8mm Tube Clips
- 8 x 10 mm Tube Clips
- 1 x Large 'E' Label
- 1 x Small 'E' Label
- 1 x Instructions

Part Number	100.000.069.S
Capacity	3.5 ltr
Weight Including Cradle	6.225kg
Weight cylinder only	5.82kg
Activated	Electrical
Pressure	Pressurised
Cylinder	Steel

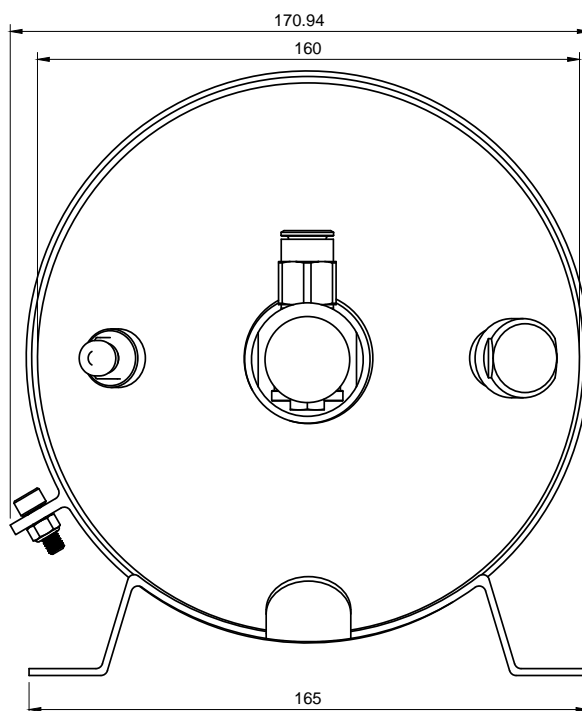
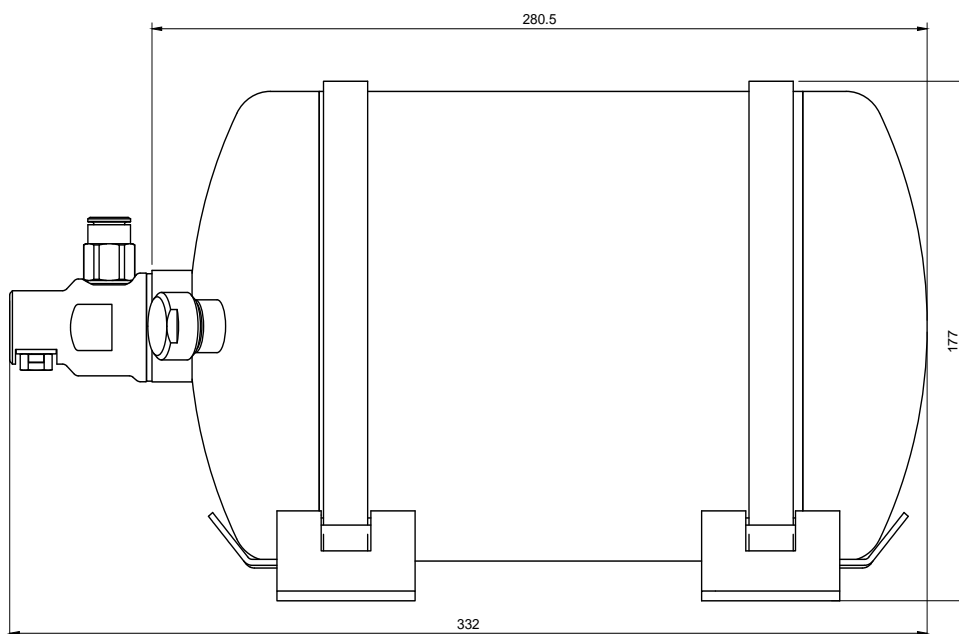


Fire Extinguisher Valve Co Ltd
Unit B3 Ford Airfield Industrial Estate, Ford, Nr Arundel, West Sussex BN18 0HY
Tel +44 (0) 1243 55 55 66 Fax +44 (0) 1243 555 660
Email sales@f-e-v.co.uk Web www.f-e-v.co.uk



FIRE SUPPRESSION

F-TEC3500EK



Fire Extinguisher Valve Co Ltd
Unit B3 Ford Airfield Industrial Estate, Ford, Nr Arundel, West Sussex BN18 0HY
Tel +44 (0) 1243 55 55 66 Fax +44 (0) 1243 555 660
Email sales@f-e-v.co.uk Web www.f-e-v.co.uk